

Industry-leading reach and adjustability



Elite 5216 Sit-Stand Workstation

Compact. Ergonomic. Hygienic. Versatile.

- **COMPACT.** Ideal for space-constrained areas. Extends a monitor and keyboard up to 69", then stows compactly against the wall.
- **ERGONOMIC.** Provides effortless movement and is fully adjustable at each joint for maximum ergonomic comfort. Rotates 180° at the wall mount.
- **HYGIENIC.** Full cable management allows for thorough disinfection, protects wires, and creates a neater appearance.
- **VERSATILE.** Excels in a wide variety of applications. Can be mounted on a desk, pole, wall or wall track.

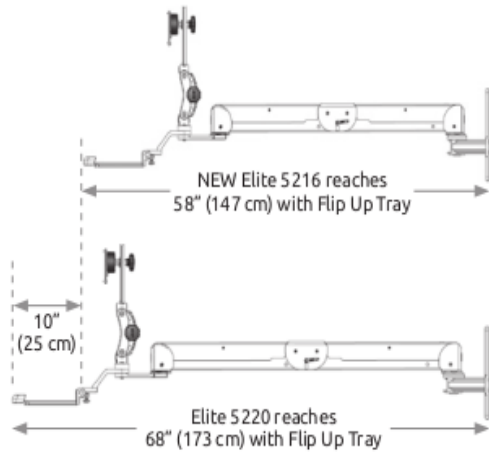
Monitor, keyboard and mouse not included.

Specifications

Load capacity	28 lbs (12.7 kg) Monitor only 22 lbs (9.9 kg) Monitor and keyboard
Vertical adjust range	30" (76 cm)
Maximum reach	43" (109 cm) Monitor only 58" (147 cm) Monitor and Flip Up Tray 64" (162.6 cm) Monitor and Keyboard Ultra Slide 69" (175 cm) Monitor and WorkSurface
Stowed depth	11" (28 cm)
Horizontal rotation	180° at wall
Screen swivel	360°
Screen tilt	50°
VESA interface	75 mm and 100 mm

Range of Motion and Dimension Drawings

Industry-leading horizontal reach



NEW Keyboard Ultra Slide

ELP5216-WT-KUS

- Surface for charting, scanning, holding meds
- Mouse tray pulls out on both sides
- Accommodates most standard keyboards

Available options

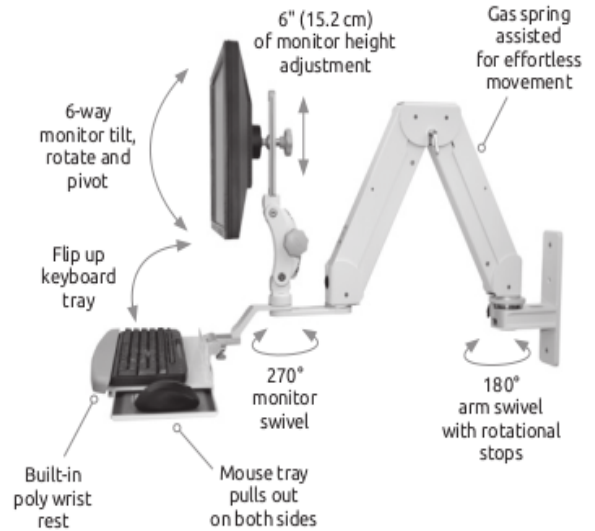


Behind-the-MONITOR scanner and/or Mini-PC mount



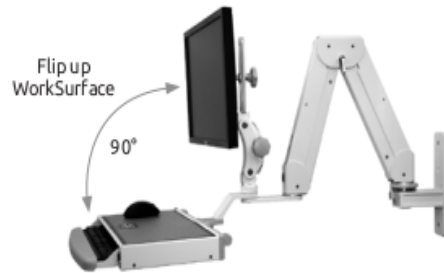
Behind-the-KEYBOARD scanner mount

Industry-leading adjustability



Flip Up Keyboard Tray

ELP5216-WT-KUB



NEW WorkSurface Tray

ELP5216-WT-KUW

- Large surface for charting, scanning, and mousing
- Flips up 90° to stow compactly
- Accommodates most standard keyboards

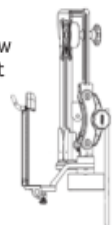
True sit-stand workstation

30" (76 cm) height adjustment



Stowable

All Models stow tightly against the wall



11" (28 cm)